



This is information for C31 on the BFO pcb.

CATALOG NUMBERS

Precision machined rotors and stators

Exceptional electrical and mechanical uniformity

High Q – typically 2000 at 150 MHz

Low temperature coefficient – plus 30 ± 15 ppm/°C

Low cost

Sub-miniature Type "T" air variable capacitors are new, smaller, machined-plate capacitors exhibiting extremely high performance for critical applications. Type "T's" are available in both horizontal and vertical tuning versions for PC and stripline mounts. Rotors and stators are precision machined from solid brass extrusions resulting in exceptional stability and uniformity.

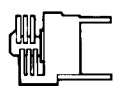
Type "T" capacitors are about 1/3 the volume of a "U" capacitor. They save space, cut costs and insure improved performance in the most compact electronic equipment. PC vertical tuning dimensions are identical to 3/8" dia. ceramic disc trimmers.

Metal parts are silver plated and Iridited for easy soldering. Ceramic is 95% high alumina Grade L-624 or better. Temperature coefficient is a low plus 30 ± 15 ppm/°C. High torque (1½ to 8 oz./inches) holds rotor securely under vibration. Air gap 0.008". Peak withstanding voltage: 250.

Designed to meet or exceed EIA-RS 204 and MIL Standard 202C Methods 204A and 201A.

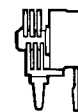
U.S. Patent No. 216797

Vertical Tuning

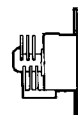


187-0103-005
187-0106-005
187-0109-005

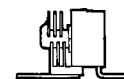
Horizontal Tuning



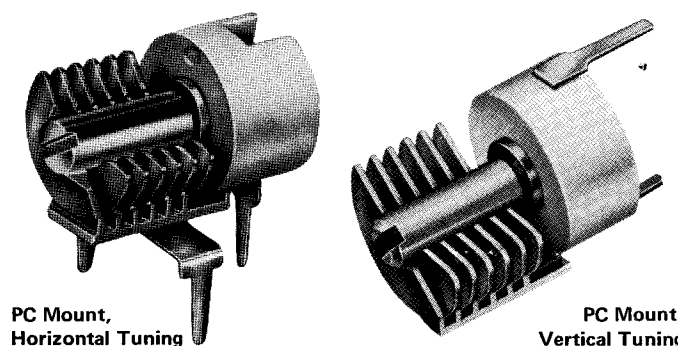
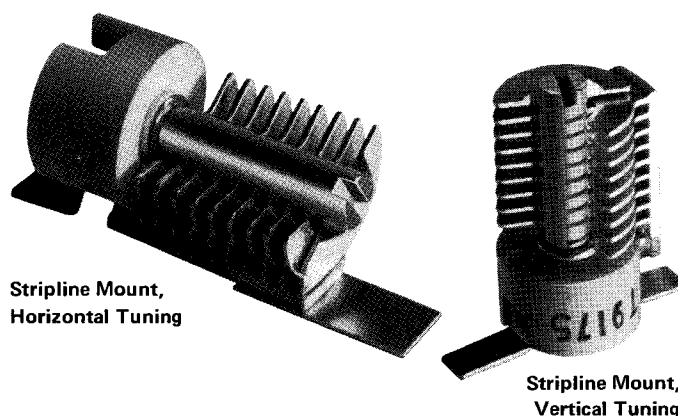
187-0103-105
187-0106-105
187-0109-105



187-0103-175
187-0106-175
187-0109-175



187-0103-165
187-0106-165
187-0109-165



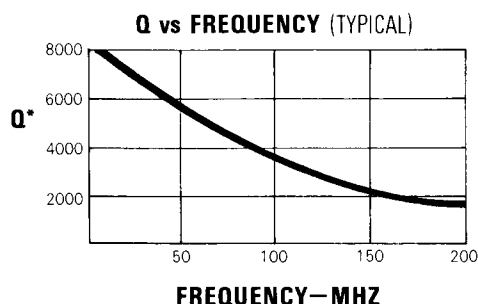
Specifications

STRIPLINE MOUNT

Vertical Tuning Cat. No.	Horizontal Tuning Cat. No.	Nominal Capacity (pF)		Total Length (in.)	Marking	Vertical	Horizontal
		Max.	Min.				
187-0103-175	187-0103-165	5.4	1.3	6	.36	T-3-175	T-3-165
187-0106-175	187-0106-165	11.0	1.7	12	.47	T-6-175	T-6-165
187-0109-175	187-0109-165	15.7	1.9	18	.58	T-9-175	T-9-165

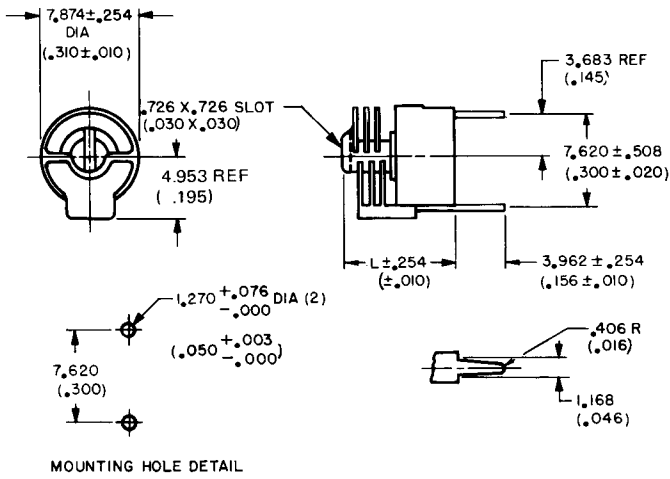
PC MOUNT

Vertical Tuning Cat. No.	Horizontal Tuning Cat. No.	Nominal Capacity (pF)		Total Length (in.)	Marking	Vertical	Horizontal
		Max.	Min.				
187-0103-005	187-0103-105	5.4	1.3	6	.36	T-3-5	T-3-105
187-0106-005	187-0106-105	11.0	1.7	12	.47	T-6-5	T-6-105
187-0109-005	187-0109-105	15.7	1.9	18	.58	T-9-5	T-9-105

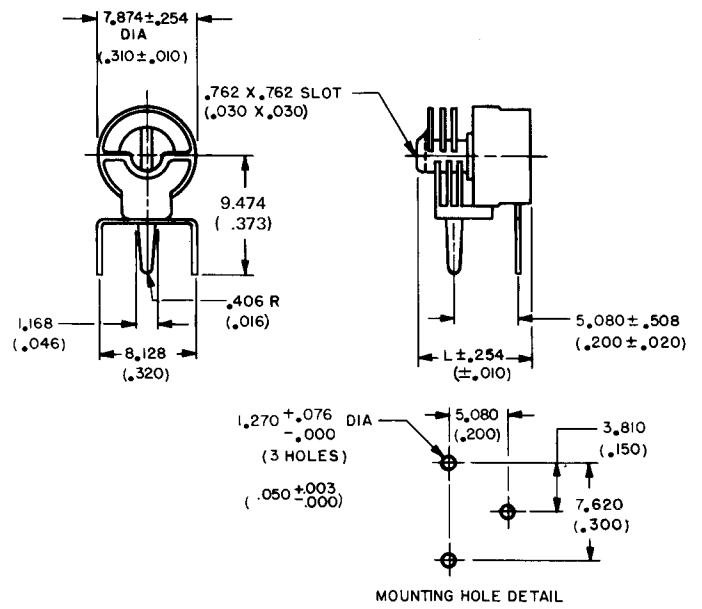


*MEASUREMENTS TAKEN ON BOONTON Q METER

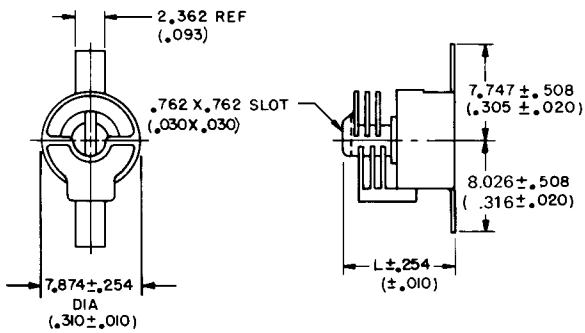
Type "T" Capacitor, Vertical Mount



Type "T" Capacitor, Horizontal Mount



Type "T" Capacitor Stripline Vertical Mount



Type "T" Capacitor Stripline Horizontal Mount

