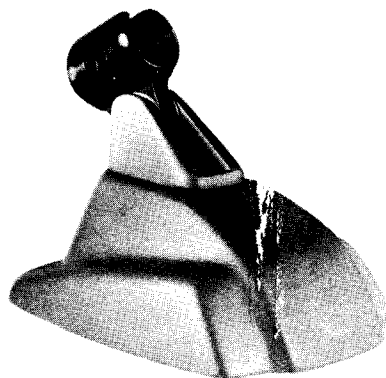
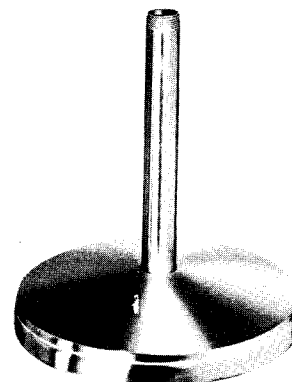


Model 418/419 stand



Model 420 stand



Model 423A stand

DESCRIPTION AND APPLICATIONS

Models 418 and 419. These desk stands are styled to give a modern, pleasing appearance while supplying an appropriate base to hold the microphone to prevent tilting and toppling over.

The 418 stand is to be used with microphones having small studs, such as models 611, 623, 630, 636, 641, 674, 911, and 951. Models 644 and 664 produced after spring 1968 are also equipped with small studs.

Model 419 desk stand is to be used with microphones, such as the 665, having large studs, and large-stud-equipped models 644 and 664 produced before spring 1968.

Models 418S and 419S, equipped with a long-life leaf switch, are available for use where "on-off" switch or relay control is desired. The switch consists of two separate single-pole, single-throw switch sections controlled from a single three-position lever. Both switch sections are "open" in the center switch-lever position.

The switch lever is locked in the "up" position, where one switch section is closed. The lever is non-locking in the "down" position, where the other switch section is closed.

Models 418G and 419G, gold-finished, are available to match models 636G, 664G, and 674G.

Model 420. The 420 desk stand is specifically designed for use with Electro-Voice models 666, 655C, 654A, 676, and other microphones with a one-inch diameter.

Model 420G, gold-finished, is available for use with the 676G microphone.

Model 423A. The model 423A comprises a five-inch stem riser and a sturdy, round die-cast base which rests firmly on rubber base buttons. The stand, finished in non-reflecting gray, is made for microphones with a 5/8"-27 thread connection.

SPECIFICATIONS

	418/419	420	423A
Base Dimensions			
Height:	2-1/16"	4 1/2"	1"
Width:	4-7/16"	4-7/16"	---
Length:	5 1/2"	5 1/2"	---
Diameter:	---	---	5-1/8"
Switch:	418S/419S: Two single-pole, single-throw leaf-switch sections controlled by a three-position switch lever.	---	---
Stem Length:	---	---	5"
Stand Threads:	---	---	5/8"-27
Material:			
Base:	Die-cast Zinc	Die-cast Zinc	Die-cast Zinc
Stem:	---	---	Steel Tubing
Clamp:	---	Lexan	---
Weight:	2 lb., 2 oz.	2 lb., 5 oz.	1 lb.
Finish:	418/419: Non-reflecting gray. 418S/419S: Non-reflecting gray. 418G/419G: Decorative gold	420: Non-reflecting gray base with black clamp 420G: Decorative gold base with black clamp	Non-reflecting gray

418, 419, 420, AND 423A MICROPHONE STANDS

ASSEMBLY INSTRUCTIONS

Models 418 and 419.

1. Refer to Figure 1.
2. Push cable connector (A) through the large hole in the stand (B) from the bottom so several inches of cable extends beyond top of stand.
3. Attach cable connector to microphone stud.
4. Place microphone mounting screw (C) into the base of the stand and screw securely into microphone.
5. Place cable strain relief clamp (D) over cable (E) and turn screw (F) partially into tapped hole in base of stand.
6. Take up slack in cable (E). With cables employing the Electro-Voice "quick-change" connector, slack should be taken up until the cable's flex relief is pulled taut as shown in Figure 1. Only in this manner will adequate clearance between the connector and stand's mounting surface be obtained. The connector and cable will not be damaged by normal tension required for clearance.
7. Tighten cable strain-relief clamp (D) to secure cable.

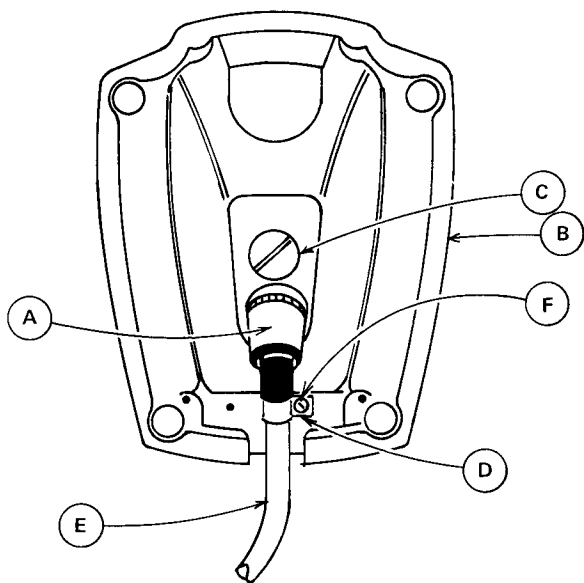


Figure 1—Assembly of models 418 and 419

Models 418S and 419S.

1. Refer to the above instructions for standard 418 and 419, in conjunction with the following switch-wiring suggestions.

A switch schematic is shown in Figure 2. For relay control, the two single-pole, single-throw switch sections may be paralleled for momentary switch action in the "down" position and locking switch action in the "up" position. For similar momentary and locking "on-off" control of low-impedance microphone output, the two switch sections may be paralleled and the combination inserted in one of the inner conductors of the low-impedance microphone cable. This arrangement "opens" the microphone head in the "off" or center switch-lever position. For "on-off" control of high-impedance microphones, the microphone output should be shorted in the "off"

position to avoid possible noise problems. This condition may be met by connecting one of the single-pole, single-throw switch sections between the appropriate center conductor and shield of the microphone cable. Microphone output will be un-shortened or "on" in the center switch-lever position.

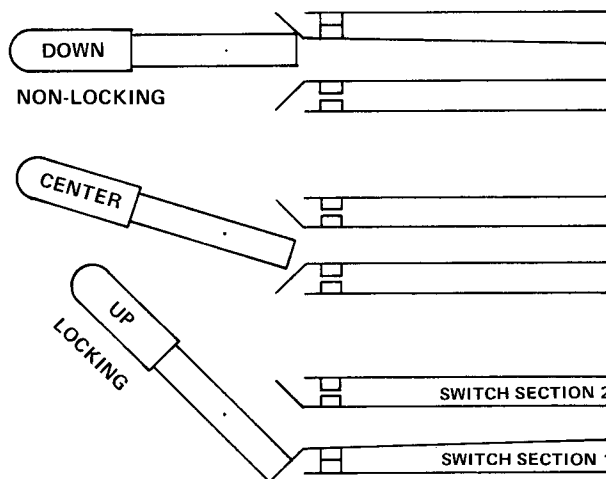


Figure 2—Switch schematic, models 418S and 419S

Model 420.

The 420 and 420G are shipped unassembled. To assemble follow instructions below, referring to Figure 3.

1. Seat clamp mounting bracket (A) in holes provided in top of large base casting.
2. Slip microphone clamp assembly (B) into seat provided in bottom of clamp mounting bracket.
3. Slip 3/8" Phillips head screw through large washer and insert through bottom of large base casting into bottom of clamp assembly. Tighten securely.

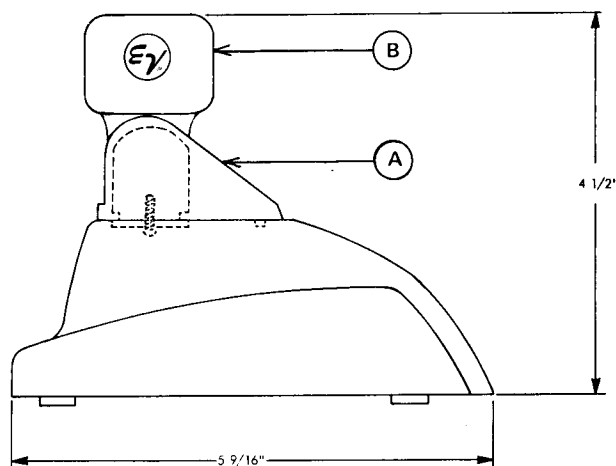


Figure 3—Assembly of model 420

WARRANTY

The Electro-Voice Models 418, 418G, 418S, 419, 419G, 419S, 420, 420G, and 423A are guaranteed against defects in workmanship and materials.