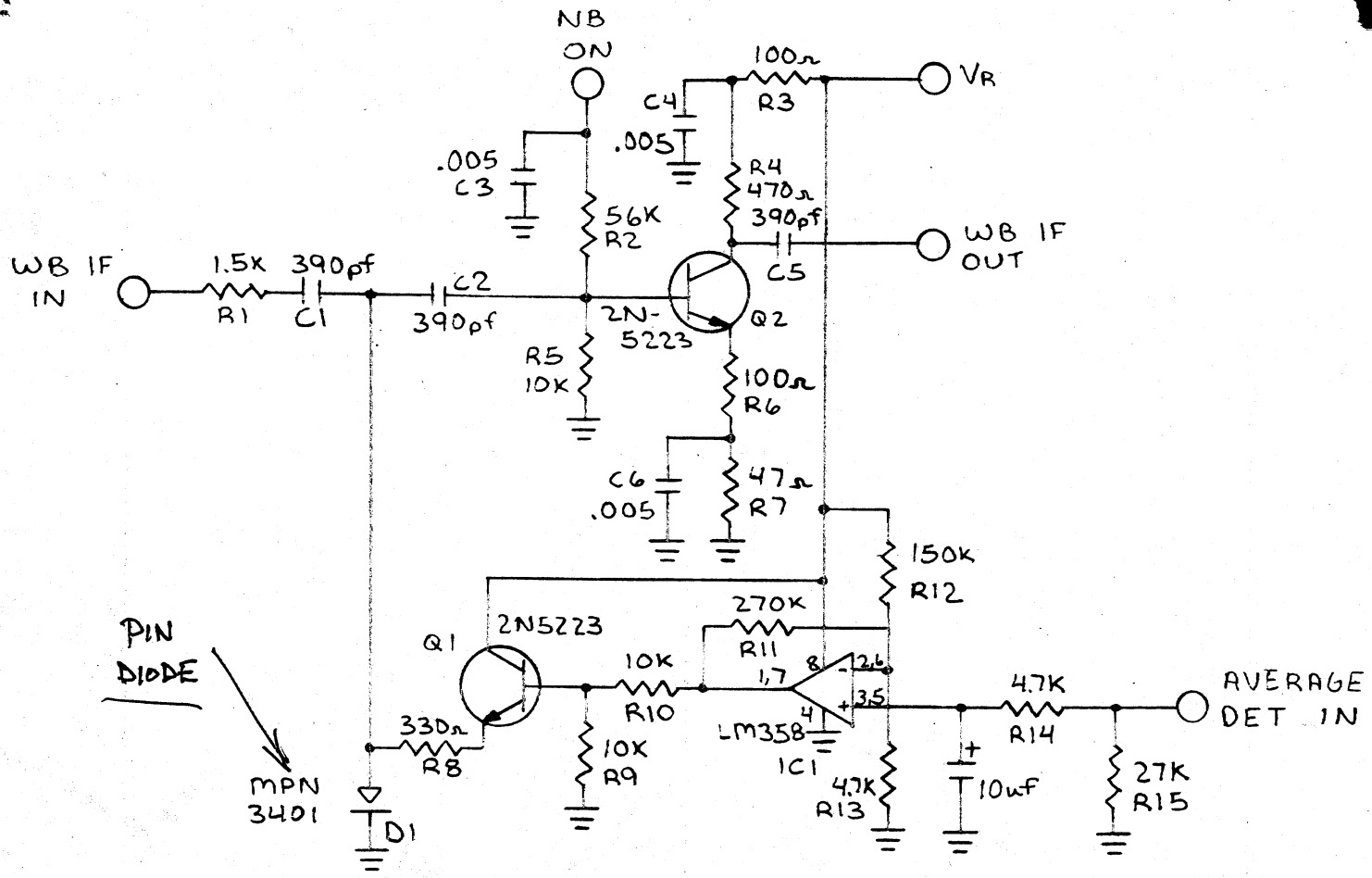


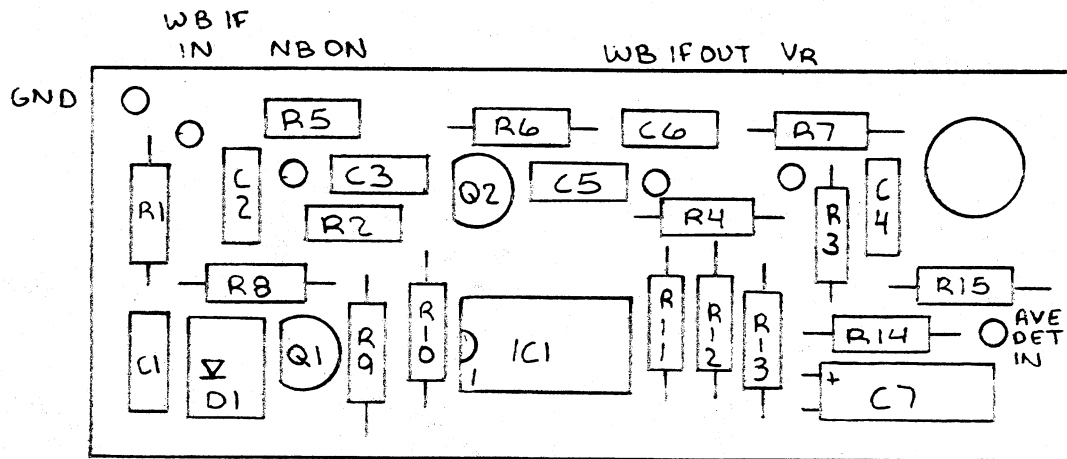
MODIFICATION PRINTS



OR
MD

CIR INDUSTRIES, INC. 1648 NO. MAGNOLIA AVE. # 107, EL CAJON, CA. 92020		
SCALE: NONE	APPROVED BY: <i>JW</i>	DRAWN BY: DAVIDSON
DATE: 9-19-77		REVISED
NOISE BLANKING BOARD SCHEMATIC		
<u>MODIFICATION</u>		DRAWING NUMBER ATR-180A

LTR	DESCRIPTION	DATE	APPO
A	CHANGED R7 100Ω TO 47Ω R6 27Ω TO 100Ω C09-23-77	9-27-77	<i>JW</i>
REVISIONS			



ok mzo

CIR INDUSTRIES, INC. 1648 NO. MAGNOLIA AVE. #107, EL CAJON, CA. 92020		
SCALE: NONE	APPROVED BY: <i>Jaw</i>	DRAWN BY C. DAVIDSON
DATE: 9-19-77		REVISED
NOISE BLANKING BRD LAYOUT		
<i>MODIFICATION</i>		DRAWING NUMBER ATR-18!