


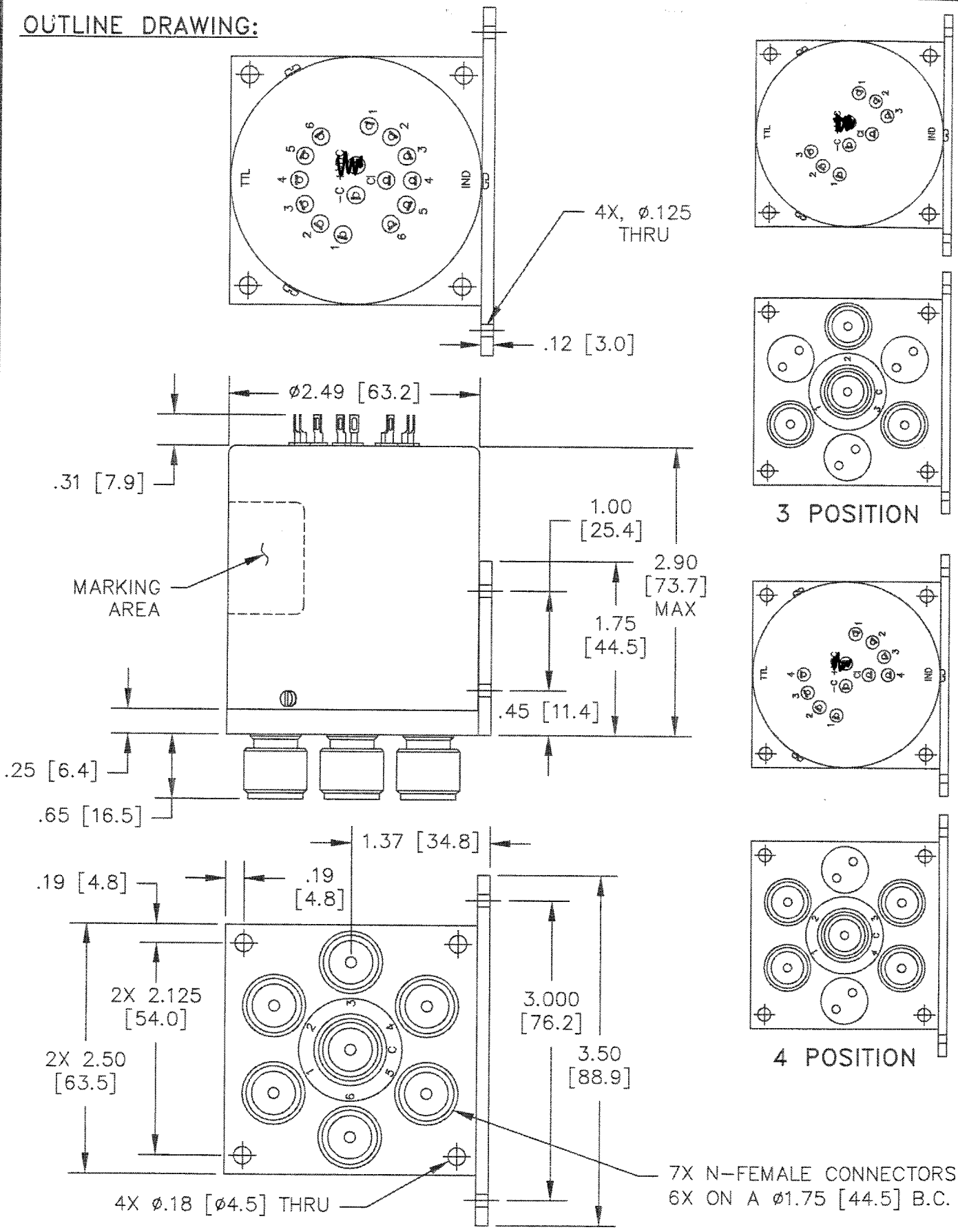
CONFIGURATION CONTROL	
LEVEL	EFFECTIVE DATE
0 <input checked="" type="checkbox"/>	_____
1 <input type="checkbox"/>	_____
2 <input type="checkbox"/>	_____
3 <input type="checkbox"/>	_____

REVISIONS			
REV.	DESCRIPTION	DATE	APPROVED
A	INITIAL RELEASE	6/6/00	J.SPENCER

Nominal Coil Voltage	Part Number		
	SP3T	SP4T	SP6T
12 Vdc	531C-520122	541C-520122	561C-520122
28 Vdc	531C-530122	541C-530122	561C-530122

REVISIONS	A	A	A				 DowKey® Microwave CORPORATION An Affiliate of K&L Microwave Incorporated <small>A COVER TECHNOLOGIES COMPANY</small>	4822 McGrath Street Ventura, CA. 93003-5641 PH: (805) 650-0260 FAX: (805) 650-1734
SHEET NO.	1	2	3					
APPROVALS		DATE					SWITCH, 3-6 POSITION, MOUNTING BRACKET NORMALLY OPEN, N-FEMALE CONNECTORS, MECHANICAL INDICATORS, TTL LOGIC HI	
DRAWN	S. LEE	5-22-00						
ENG	S. LEE	5-23-00						
ENG. MGR.	D. FAIRBANKS	5/23/00						
SALES MGR.	J. TRUJILLO	5/26/00						
Q.A. MGR.	S. EVERETT	5/31/00						
MFG. MGR.	M. MARTINEZ	5-31-00					CODE IDENT. NO. 00471	DWG. NO. 5X1C-5X0122
SCALE		NONE		FINAL ASSY:		SHEET 1 OF 3		

OUTLINE DRAWING:



7X N-FEMALE CONNECTORS
6X ON A ϕ 1.75 [44.5] B.C.

[] MILLIMETERS

UNLESS OTHERWISE SPECIFIED TOLERANCES ARE: .XXX \pm .010 ANGLES: \pm 3' .XX \pm .030	CODE IDENT. NO. 00471	DWG. NO. 5X1C-5X0122	REV. A
	SCALE NONE	SHEET 2 OF 3	

SPECIFICATIONS:

1. RF CHARACTERISTICS:

1.1 FREQUENCY (GHz):	DC-4	4-8	8-12.4
1.2 VSWR (MAX.):	1.25:1	1.35:1	1.70:1
1.3 INSERTION LOSS (MAX.):	0.30dB	0.40dB	0.70dB
1.4 ISOLATION (MIN.):	70dB	60dB	55dB
1.5 RF POWER, WATTS (CW):	175	125	100

2. ACTUATION DATA:

2.1

NOMINAL VOLTAGE	OPERATING VOLTAGE	CURRENT (TYP) @ NOMINAL VOLTAGE & 25°C
12	11-14	100mA
28	24-32	56mA

2.2 SWITCHING TIME: 15mS MAX.

2.3 OPERATING MODE: NORMALLY OPEN

3. MECHANICAL:

3.1 RF CONTACTS: BREAK BEFORE MAKE

3.2 WEIGHT, NOMINAL: 17.0oz. (482g.)

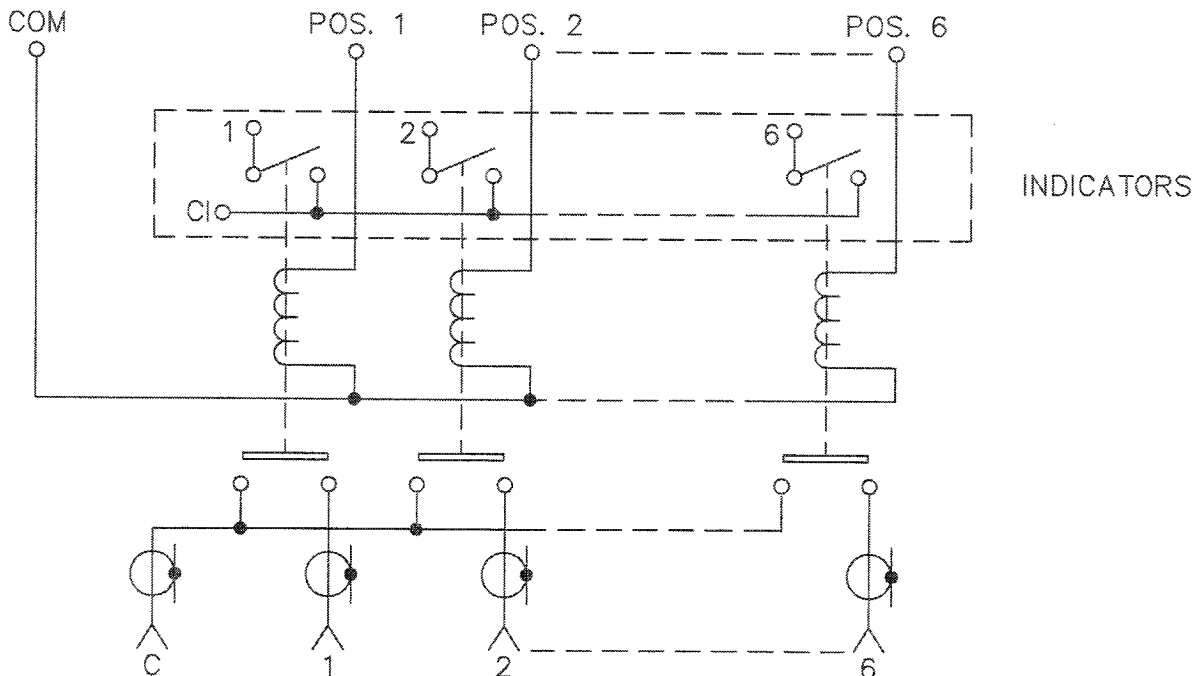
3.3 DESIGN LIFE (MIN.): 1,000,000 CYCLES

4. ENVIRONMENTAL:

4.1 OPERATING TEMPERATURE: -25°C TO +65°C

4.2 STORAGE TEMPERATURE: -55°C TO +85°C

SCHMATIC:



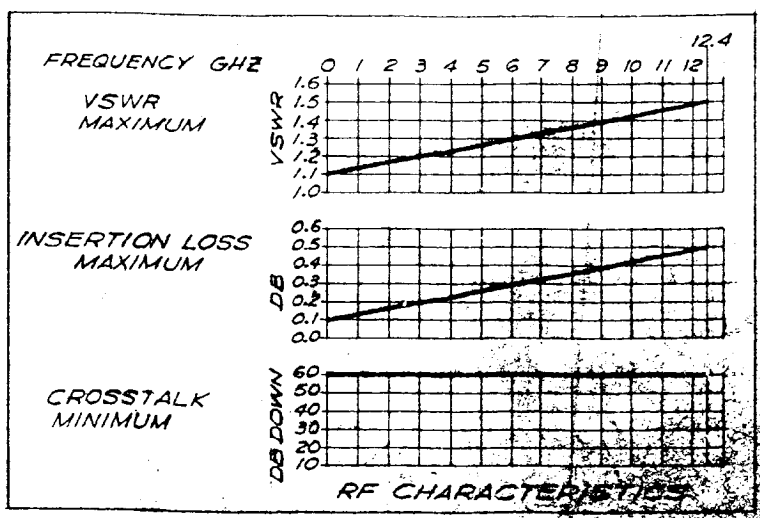
TERMINALS NOT POLARITY SENSITIVE

CODE IDENT. NO. 00471	DWG. NO. 5X1E-5X0122	REV. B
SCALE NONE	SHEET 3 OF 3	

116C00000 SERIES

REVISIONS

LTR	DESCRIPTION	DATE	APPROVAL
A	REF DCR NO 1796	9/1/76	P. J. H. 6-1-76



PART NO.	SWITCH TYPE	RF CONN TYPE	VOLTAGE	IND CRT	SCHEMATIC NO.	REVISION
116C00100	A	N	28VDC	NO	1	
116C00200	A	N	28VDC	YES	2	116C00200
116C00300	A	N	115VAC	NO	1	
116C00400	A	N	115VAC	YES	2	
116C00500	A	TNC	28VDC	NO	1	
116C00600	A	TNC	28VDC	YES	2	116C00600
116C00700	A	TNC	115VAC	NO	1	
116C00800	A	TNC	115VAC	YES	2	
116C00900	A	TNC	115VAC	YES	2	
116C00500	B	N	28VDC	NO	1	
116C00600	B	N	28VDC	YES	2	
116C00700	B	N	115VAC	NO	1	
116C00800	B	N	115VAC	YES	2	
116C30500	B	TNC	28VDC	NO	1	
116C30600	B	TNC	28VDC	YES	2	
116C30700	B	TNC	115VAC	NO	1	
116C30800	B	TNC	115VAC	YES	2	

116C00000 SERIES A

UNLESS SPECIFIED	CONTRACT NO.
ALL DIMENSIONS IN INCHES UNLESS NOTED OTHERWISE	
XXX ± .010	
ANGLES ± 1°	
PER MIL STD-18	
BURRS AND CHIPS .015 MAX	
BEFORE PLATING	
RE PER MIL STD-8	
DATE	
DFTSM	
CHECK	B. Wetzel 11/72
ENGR	Shank 11/72
APPD	E. Williams 11/72
SCALE DRAWING	RELEASED

TRANS PRODUCTS, INC. 4241 GLENCOE AVE. VENICE, CALIF.

SWITCH - RF XMSN LINE
SP6T, FAIL SAFE

DWG SIZE: **C** CODE IDENT NO. **82152** 116C00000 SERIES

SCALE: 1/2 WT SHEET

1170